

PYLE

SPECIFICATIONS



PADH1549 PADH1849

PADH2149

PADH1572 PADH1872

PADH2172



WWW.PYLEAUDIO.COM

About Pyle PADH stage speaker Systems

Congratulations

You have just purchased one of our high quality Pyle PADH speaker, Pyle PADH STAGE Speaker System is carefully designed & manufactured for STAGE use. They could deliver consistent and high performance

The General Features of Pyle PADH STAGE Speaker Systems

Heavy Duty Construction W/reinforced Corners

High Power 8 Ohm woofers

Coating Paper Cone With Cloth Edge

Quick Connect Speaker Terminals

Two 1/4" Phone Jacks

Built In Crossover Network

MANUFACTURER'S LIMITED ONE YEAR WARRANTY

PYLE AUDIO CORP. warrants this unit to be free from defective material or workmanship and will repair or replace this unit or any parts belonging to this unit. only if proven that after normal use it was defective within one(1) years from the date of original purchase.

The item, when sent in for service should be accompanied by proof of purchase.

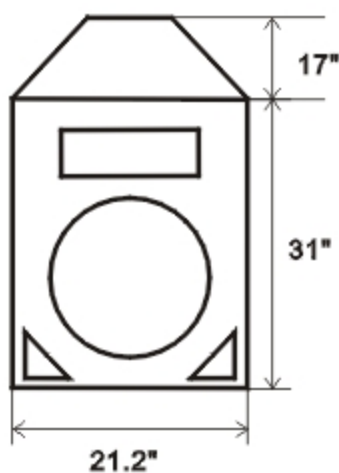
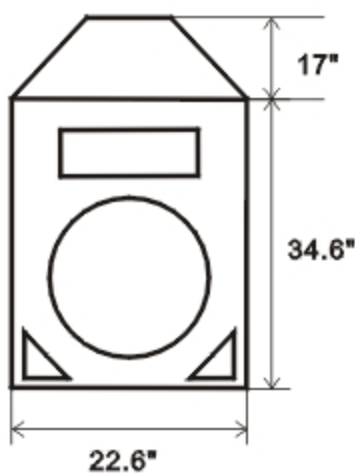
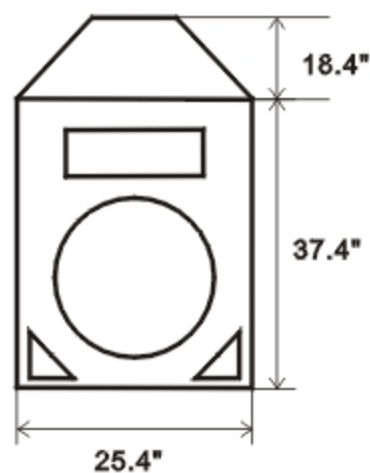
Our obligation under this warranty is limited to the repairing or replacing at our discretion, the defective instrument or any part there of when it is returned, transportation must be prepaid to the legacy Service Center at the address below. The return shipping fees are as follows if the entire enclosure is sent in there will be a fee of \$ 25.00 for return shipping, however we would suggest you would return only the defective speakers if that \$15.00. Be advised we are not responsible for cosmetic damage of the unit. this, warranty will be considered void, if the unit has been tampered in a commercial vehicel. This warranty does not cover accidental damage. All payment accompanying defective units should be by US money order, or any other payment option must be authorized by out service center.

Send your unit to:

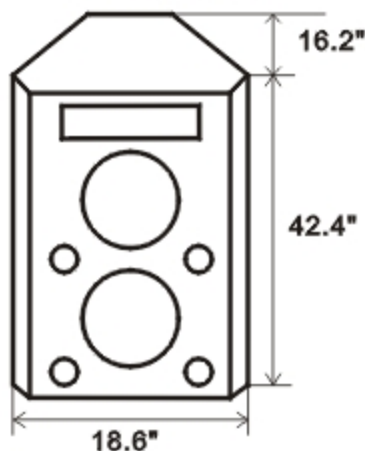
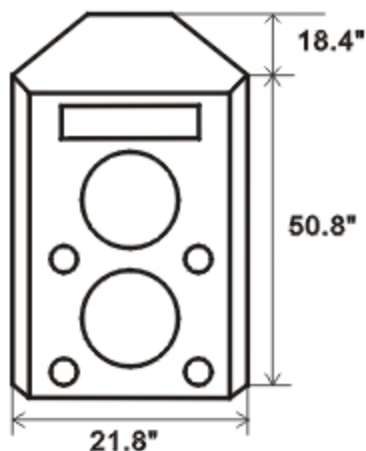
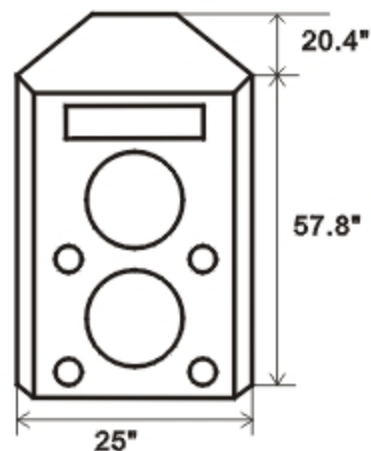
PLYE SERVICE CENTER
1600-63RD Street
Brooklyn, New York 11204 USA
1-718-236-8000
1-800-444-5671
www.pyleaudio.com

IMPORTANT

Pack carefully in original carton if possible. We are not responsible for damage incurred in returning items for repair. A letter stating your exact street address, daytime phone number, and a brief statement describing the problem you are experiencing to ensure proper repair of the unit in question.

PADH1549**PADH1849****PADH2149**

SPECIFICATIONS	PADH1549	PADH1849	PADH2149
ENCLOSURE TYPE	2-WAY BASS REFLEX	2-WAY BASS REFLEX	2-WAY BASS REFLEX
WOOFER SIZE	1*15" WOOFER	1*18" WOOFER	1*21" WOOFER
MIDRANGE SIZE	12"*18" DOME	12"*18" DOME	12"*18" DOME
SENSITIVITY	107DB	110DB	110DB
FREQUENCY RESPONSE	30Hz-20KHz	25Hz-20KHz	20Hz-20KHz
MAX POWER	1000 WATTS	1600 WATTS	2000 WATTS
IMPEDANCE	8 OHM	8 OHM	8 OHM
CROSSOVER NETWORK	INCLUDED	INCLUDED	INCLUDED
DIMENSIONS	31 "H*21.2"W*17"D	34.6 "H*22.6"W*17"D	37.4 "H*25.4"W*18.4"D

PADH1572**PADH1872****PADH2172**

SPECIFICATIONS	PADH1572	PADH1872	PADH2172
WOOFER SIZE	2*15" WOOFER	2*18" WOOFER	2*21" WOOFER
SENSITIVITY	107DB	110DB	110DB
FREQUENCY RESPONSE	30Hz-20KHz	25Hz-20KHz	20Hz-20KHz
MAX POWER	2000 WATTS	3200 WATTS	4000 WATTS
IMPEDANCE	8 OHM	8 OHM	8 OHM
CROSSOVER NETWORK	INCLUDED	INCLUDED	INCLUDED
DIMENSIONS	42.4 "H*18.6"W*16.2"D	50.8 "H*21.8"W*18.4"D	57.8 "H*25"W*20.4"D